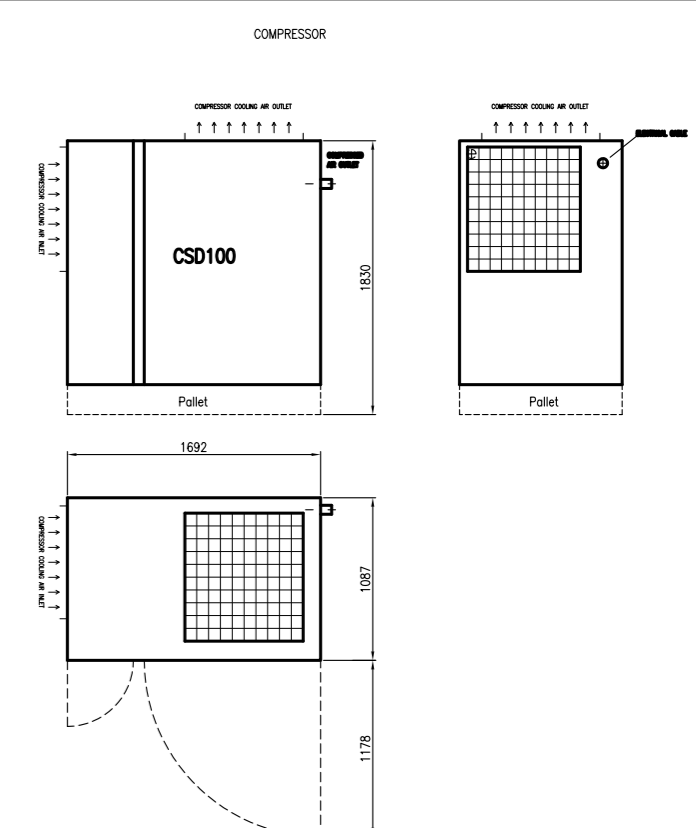
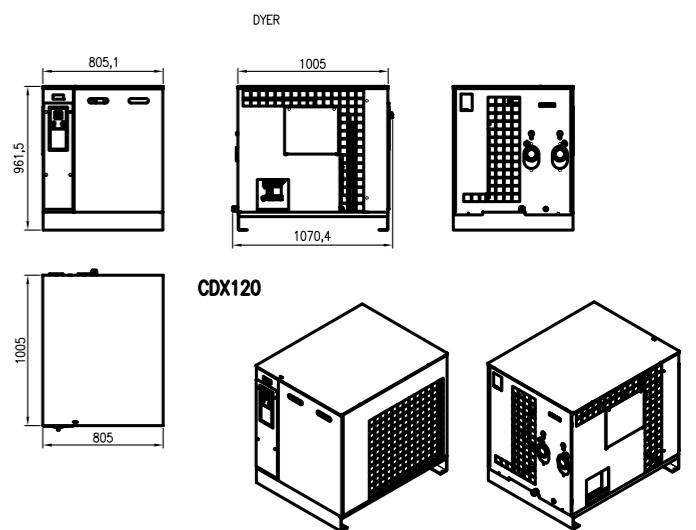
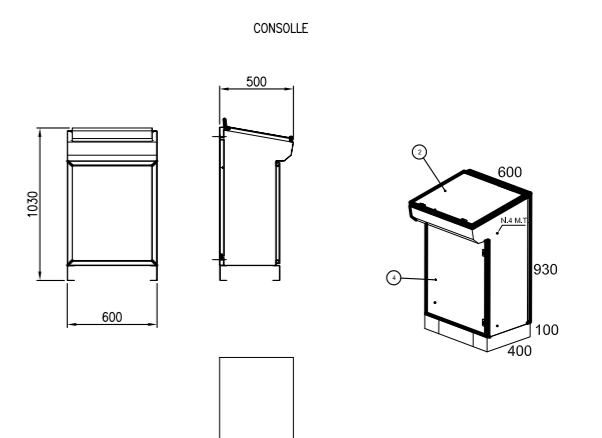
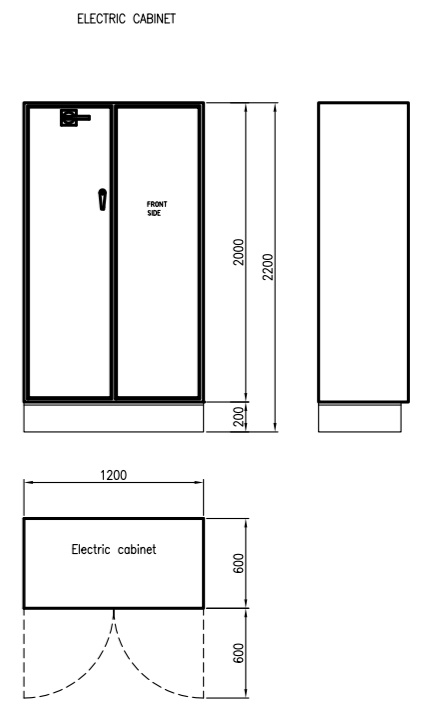
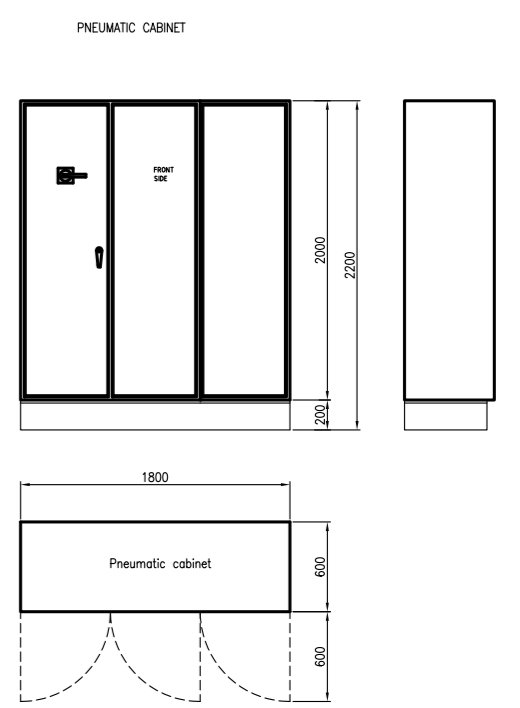
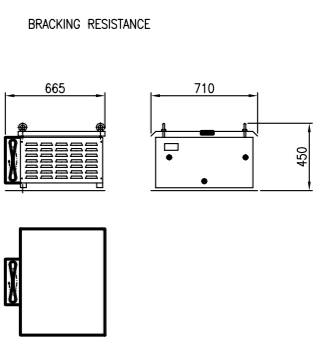


Supplied by the customer

75kW - 400V/PE

Supplied by the customer

25kW - 400V/PE



Designer:	Tinti
Date:	20210714
Scale:	1:50
Piece:	
Weight:	
Kg:	

Project: AS12  
Group:  
Sub.Group:

Title: Layout



FILE n°: 774\_AS12\_Layout\_20210714

774\_AS12\_Layout\_20210714