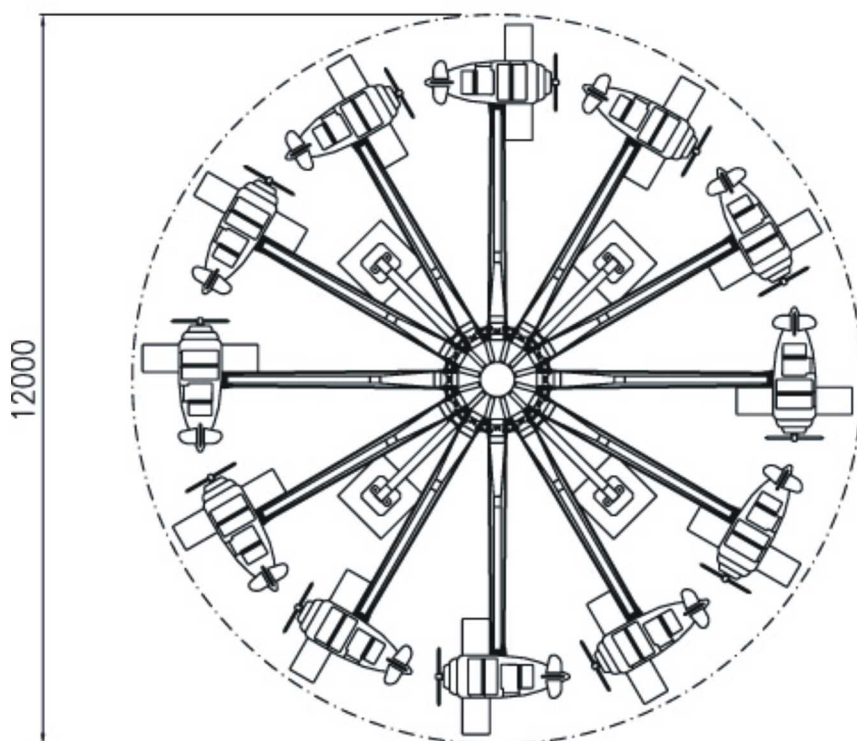
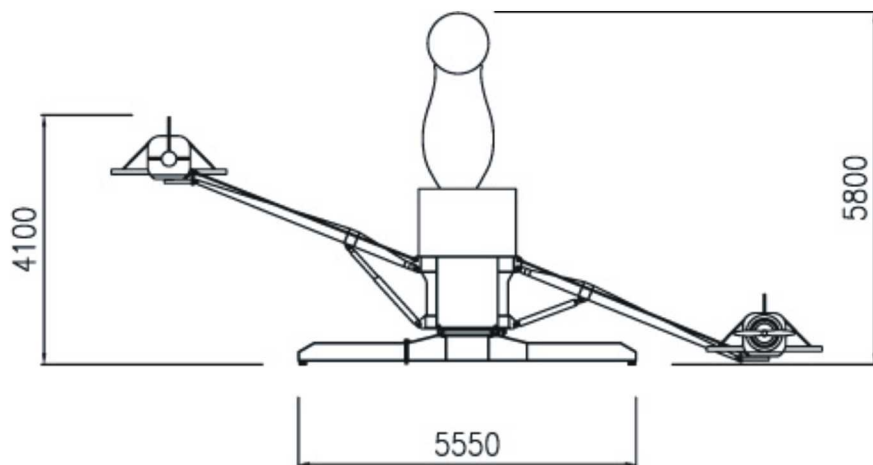


The ride is a bigger version of our classic RED BARON, also this ride rotates either in a clockwise and counter-clockwise direction. Each vehicle loads one kid and one adult or two kids and one adult raising about 4 metres from the ground. Park Saint Paul in Paris has already chose our SUPER RED BARON for all the families of its little guests.



SUPER RED BARON

Park model	Available
Road model	Not Available
Height:	5 mt (16 ft)
Diameter:	12 mt (39 ft)
Gondolas:	12 cars, 1 adult + 2 kids (36 passengers)
Loading:	Simultaneous
Estimated capacity:	800 passengers/hour
Requirement for city line connection:	15 KW
Voltage:	380 V ± 5% 3 Ph. + N (other versions on request)
Frequency:	50/60 Hz ± 2%