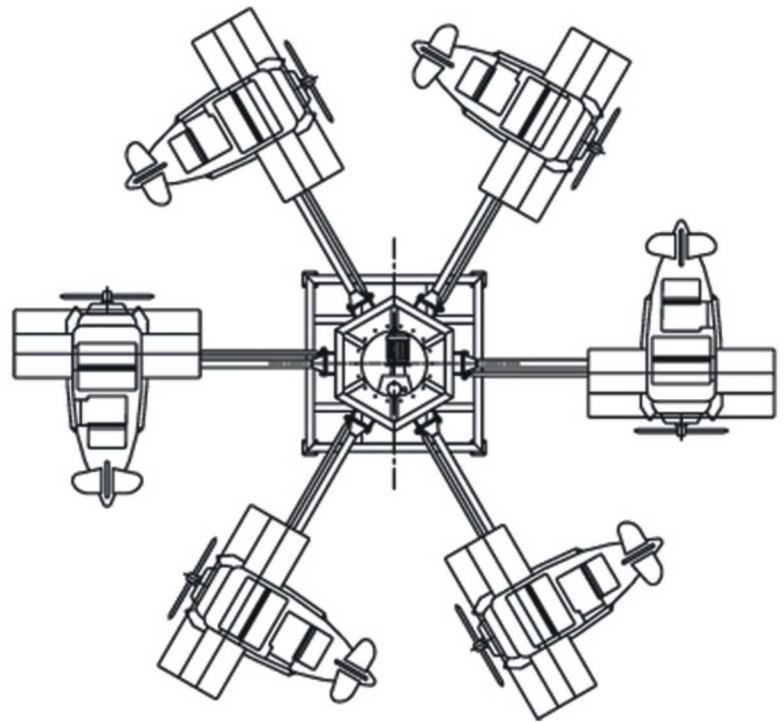
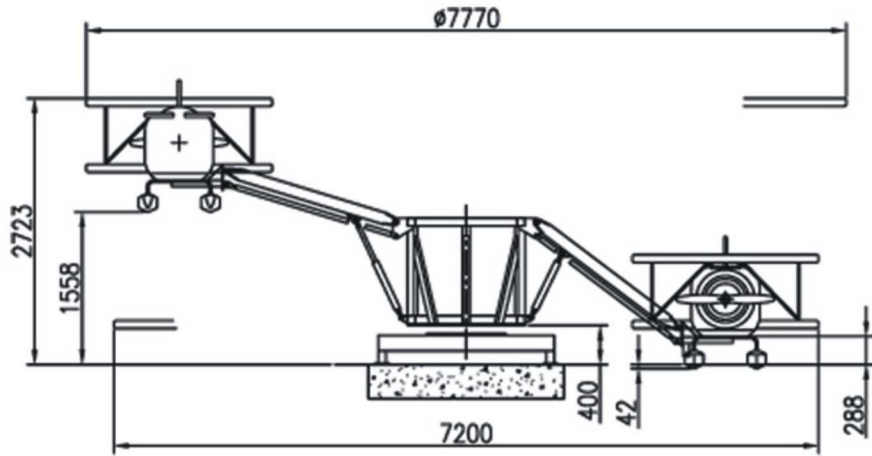


This funny little attraction consists of a base carrying a decorative centre that supports the biplane-shaped vehicles. The ride rotates either in a clockwise and counter-clockwise direction. Each vehicle loads two passengers and raises about 2 m. from the ground.



## RED BARON

<b>Park model</b>	Available
<b>Road model</b>	Available
<b>Height:</b>	3 mt (10 ft)
<b>Diameter:</b>	8 mt (26 ft)
<b>Gondolas:</b>	6 cars, 1 adult + 2 kids or 3 kids (18 passengers)
<b>Loading:</b>	Simultaneous
<b>Estimated capacity:</b>	400 passengers/hour
<b>Requirement for city line connection:</b>	7 KW
<b>Voltage:</b>	380 V $\pm$ 5% 3 Ph. + N (other versions on request)
<b>Frequency:</b>	50/60 Hz $\pm$ 2%
<b>Transport road model:</b>	1 semitrailer 13,6 mt (45 ft)