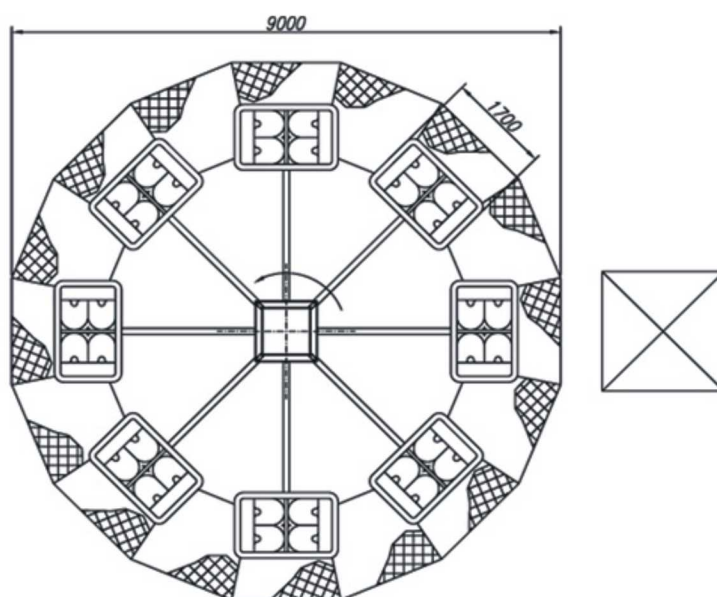
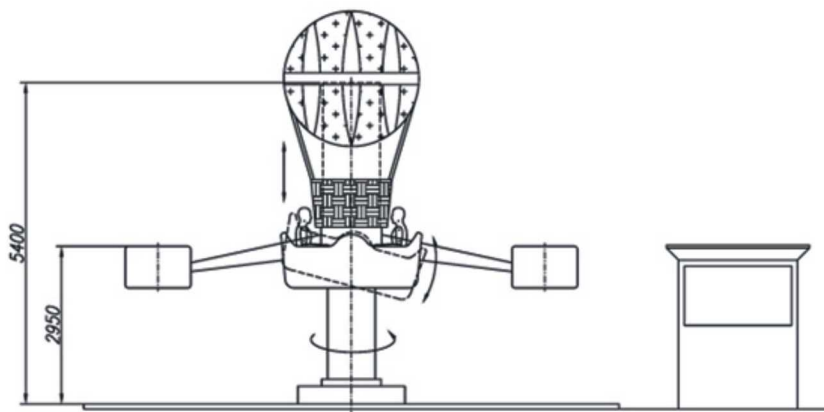


The Happy Sun motion is gentle and slow (7rpm), suitable for families with small children. Each of the 8 cars will accommodate 2 adults and 2 children and all cars are loaded/unloaded simultaneously. Once the passengers are securely loaded, the operator starts the ride in either a clockwise or counterclockwise rotation.



HAPPY SUN

Park model	Available
Road model	Available
Height:	6 mt (20 ft)
Diameter:	8 mt (26 ft)
Gondolas:	8 cars,32 passengers
Loading:	Simultaneous
Estimated capacity:	700 passengers/hour
Requirement for city line connection:	15 KW
Voltage:	380 V \pm 5% 3 Ph. + N (other versions on request)
Frequency:	50/60 Hz \pm 2%
Trasport road model:	1 semitrailer 13,6 mt (45 ft)