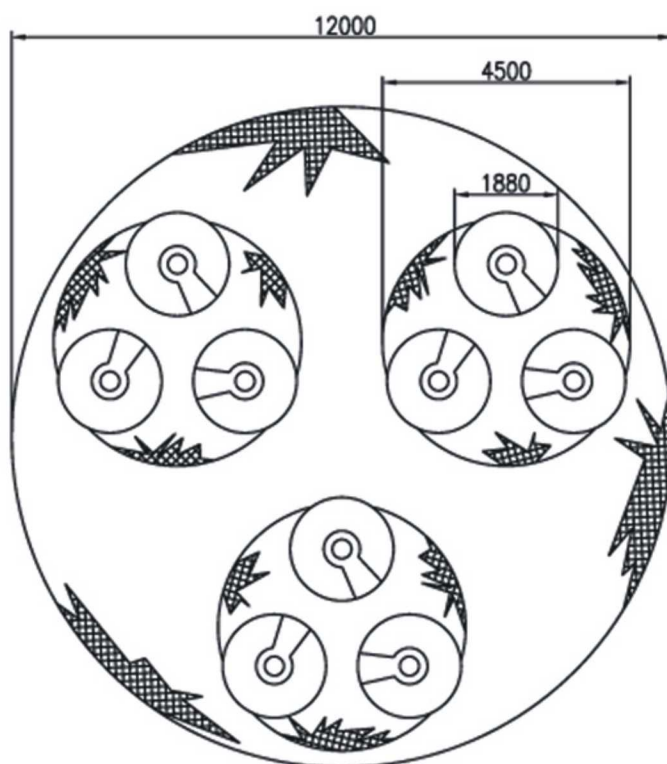
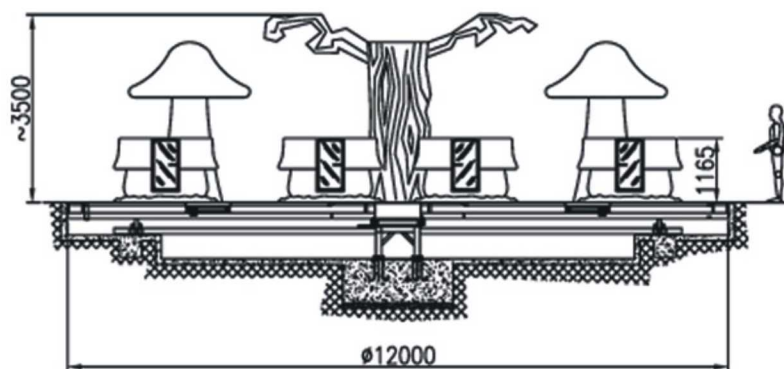


This entertaining family ride is the classical “Tea-Cups” ride redesigned with extra sized gondolas themed with new variants like mushrooms and pots barrels but still available with the evergreen classic cups delivered to Dolliwood Park.



## CANNIBAL POTS

<b>Park model</b>	Available
<b>Road model</b>	Not available
<b>Height:</b>	2 mt (7 ft)
<b>Diameter:</b>	12 mt (39 ft)
<b>Gondolas:</b>	9 cars,45 passengers
<b>Loading:</b>	Simultaneous
<b>Estimated capacity:</b>	1100 passengers/hour
<b>Requirement for city line connection:</b>	40 KW
<b>Voltage:</b>	380 V ± 5% 3 Ph. + N (other versions on request)
<b>Frequency:</b>	50/60 Hz ± 2%
<b>Trasport road model:</b>	1 semitrailer 13,6 mt (45 ft)
<b>Optionals:</b>	Roof